

Keysight N5191A

UXG X-Series Agile Signal Generator, Modified Version

10 MHz to 20 or 40 GHz

Data Sheet



Table of Contents

Definitions and Conditions	3
Specifications	4
Frequency.....	4
Power.....	7
Switching speed.....	10
Synchronization.....	13
List mode.....	14
Spectral purity.....	15
Phase noise.....	16
Pulse modulation (Option PM2).....	16
Chirp and chirped-pulse modulation (Options UT1, WC2, and PM2).....	18
Internal pulse generator (Option PM2).....	19
Frequency modulation (Option UT1).....	19
Phase modulation (Option UT1).....	20
Amplitude modulation (Option UT1).....	20
External modulation inputs (Option UT1).....	20
Internal modulation source (Option UT1).....	21
Simultaneous modulation.....	21
Remote programming.....	21
General specifications.....	21
Input/Output Descriptions	22
Front panel connectors.....	22
Rear panel connectors.....	22
Auxiliary I/O modules.....	23
Related Literature	23

Definitions and Conditions

Specification (spec): represents warranted performance of a calibrated instrument that has been stored for a minimum of 2 hours within the operating temperature range of 0 to 55 °C, unless otherwise stated, and after a 1 hour warm-up period. The specifications include measurement uncertainty. Data represented in this document are specifications unless otherwise noted.

Typical (typ): describes additional product performance information that is not covered by the product warranty. It is performance beyond specifications that 80% of the units exhibit with a 95% confidence level at room temperature (approximately 25 °C). Typical performance does not include measurement uncertainty.

Nominal (nom): describes the expected mean or average performance, or an attribute whose performance is by design, such as the 50 Ω connector. This data is not warranted and is measured at room temperature (approximately 25 °C).

Measured (meas): describes an attribute measured during the design phase for purposes of communicating expected performance, such as amplitude drift vs. time. This data is not warranted and is measured at room temperature (approximately 25 °C).

All of the above apply when using the instrument in its default settings unless otherwise stated.

This data sheet provides a summary of the key performance parameters for N5191A modified UXG signal generators. All options referenced in this data sheet are described in the N5191A modified UXG configuration guide (5992-1116EN).

Specifications

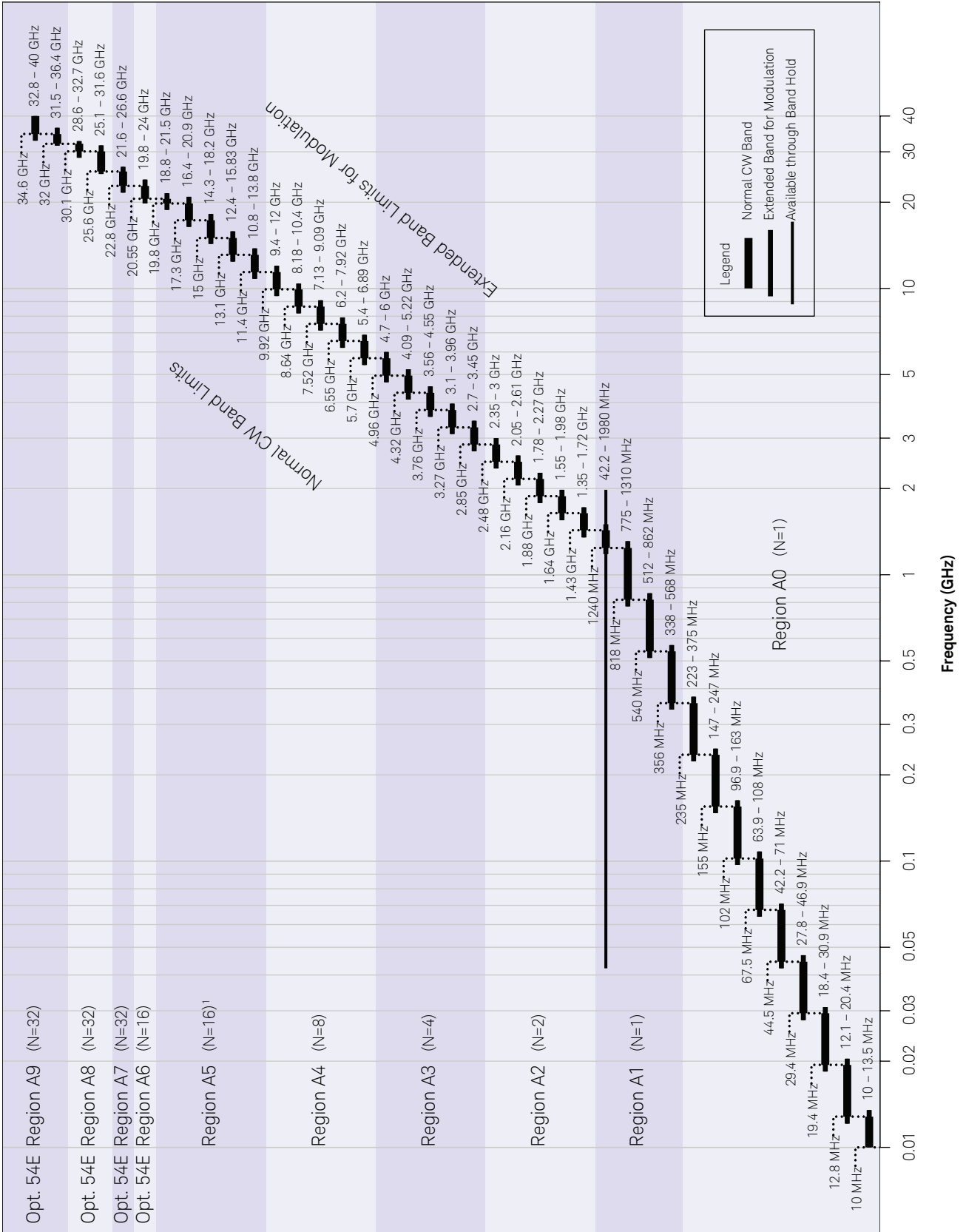
Frequency

Range		
	Specified range	Tunable range
Option 52E	10 MHz to 20 GHz	10 MHz to 21.5 GHz
Option 54E	10 MHz to 40 GHz	10 MHz to 40 GHz
CW frequency resolution		
Standard	10 kHz	
Option FR1	0.001 Hz	
Frequency switching modes		
Phase continuous switching	Minimizes phase changes and spectral splatter when transitioning to a new frequency within a band.	
Phase coherent switching	When returning to a prior frequency, returns to the prior phase trajectory at that frequency, assuming the same setup conditions. Some temporary amplitude and phase changes may occur during transitions.	
Phase offset		
	Adjustable in 0.1° increments (nom)	
Accuracy		
	Accuracy is equivalent to the internal or external frequency reference in use.	
	Choices are the internal timebase reference oscillator, the external reference input, the system sync input, and the 6 GHz input.	
Internal timebase reference oscillator		
Initial calibration accuracy	$\pm 5 \times 10^{-8}$	
Aging rate ¹	$\pm 3 \times 10^{-8}$ /year or $\pm 2.5 \times 10^{-10}$ /day after 30 days	
Temperature effects	$\pm 4.5 \times 10^{-9}$ (nom) from 0 to 55 °C	
Electronic frequency control (EFC) sensitivity	-0.04 ppm/V (nom) from -10 V to +10 V	
External 10 MHz reference input		
Frequency	10 MHz	
Modes	Manually or automatically selected	
Lock range	± 1.0 ppm (nom)	
Input amplitude	6 dBm \pm 6 dB (nom). To optimize phase noise use 6 dBm \pm 2 dB (nom).	
Input impedance	50 Ω (nom)	
Other reference choices		
System sync in/out	See the Synchronization Section	
6 GHz in/out	See the Synchronization Section	
Reference output (10/100 MHz output)		
Frequency	10 MHz or 100 MHz, user selectable	
Amplitude	7 dBm (nom) into 50 Ω load	

1. Not verified by Keysight N7800A TME Calibration and Adjustment Software. Daily aging rate may be verified as a supplementary chargeable service, on request.

Frequency bands (Frequency Mode A, default)

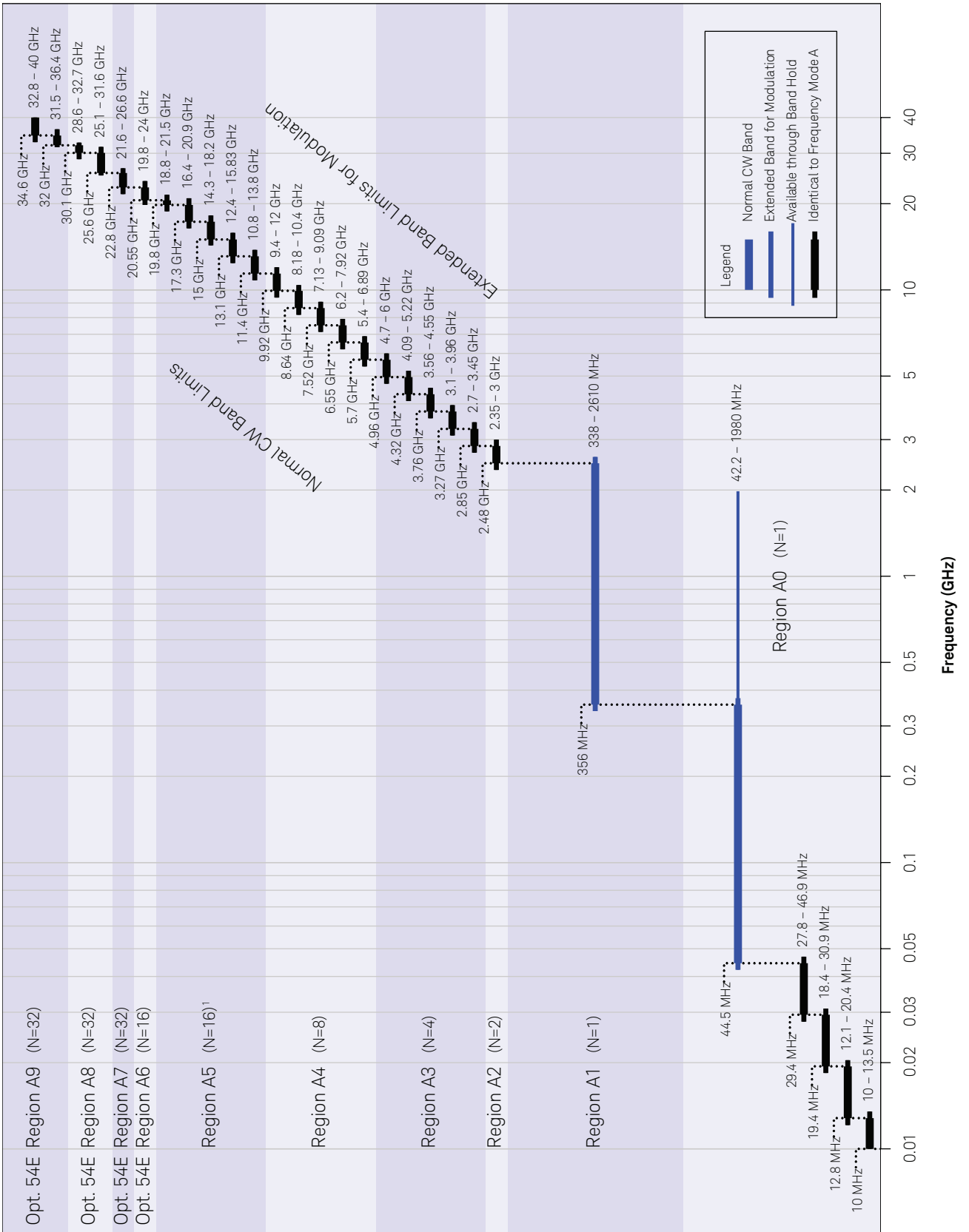
Frequency Bands (Frequency Mode A, Default)



1. In Option 52E, the 18.8-21.5 GHz band behaves like it is part of Region A5. In Option 54E, the 18.8-21.5 GHz band behaves like it is part of Region A6.

Frequency bands (Frequency Mode B)

Frequency Bands (Frequency Mode B)



1. In Option 52E, the 18.8-21.5 GHz band behaves like it is part of Region A5. In Option 54E, the 18.8-21.5 GHz band behaves like it is part of Region A6.

Frequency band overview

Default bands (Mode A)	Provide lowest harmonics and spurious signals.
42.2 to 1980 MHz band (Mode B)	Provides wider bandwidth at low frequencies for wider chirps, wider FM, and better pulse shape.
338 to 2610 MHz band (Mode B)	Provides wider bandwidth at low frequencies for wider chirps, wider FM, and better pulse shape. Reduces pulse video feedthrough.

Power

Dual attenuator specified frequency range (Option AT1)

	Option 52E	Option 54E
Electronic agile attenuator	10 MHz to 20 GHz	10 MHz to < 25.6 GHz
Mechanical step attenuator	10 MHz to 20 GHz	10 MHz to 40 GHz

Dual attenuator step size (Option AT1)

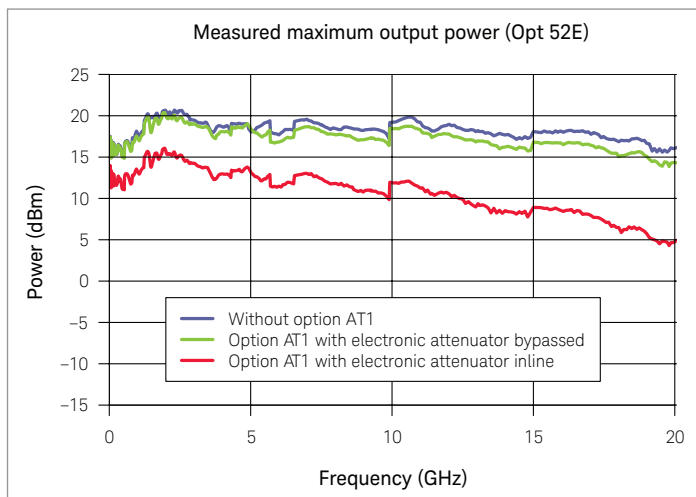
Electronic agile attenuator	0 dB to 70 dB in 5 dB steps, for frequencies < 25.6 GHz, or bypassed
Mechanical step attenuator	0 dB to 85 dB in 5 dB steps, for frequencies up to 40 GHz

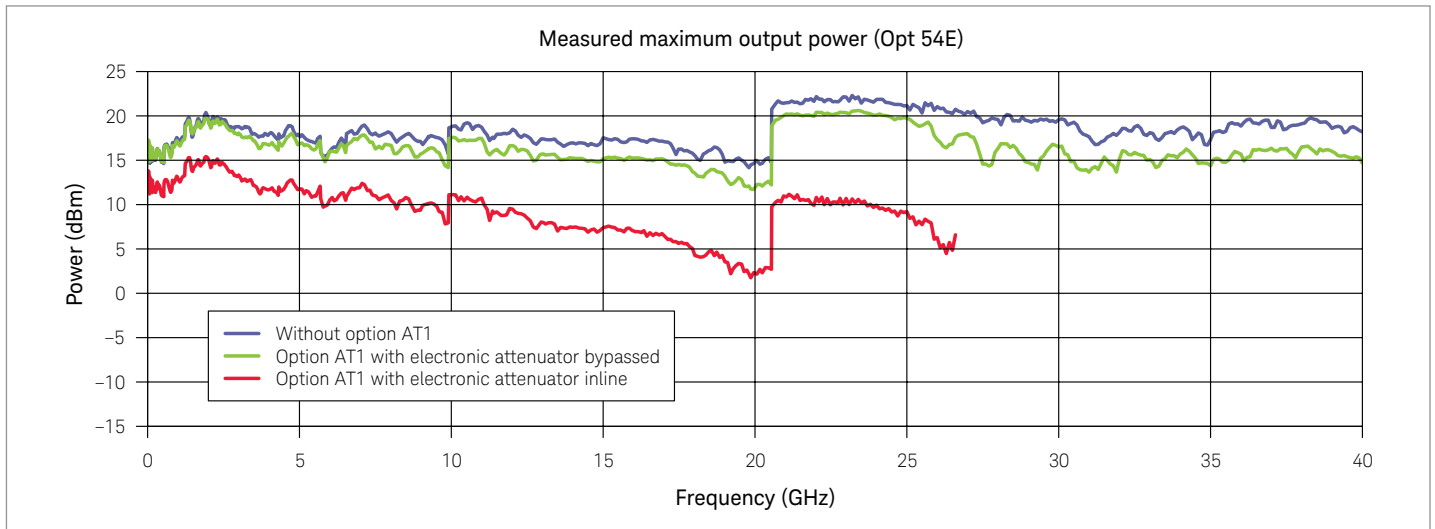
Maximum output power (Option 52E)

Frequency	Standard	Option AT1 Electronic attenuator bypassed	Option AT1 Electronic attenuator inline
10 MHz to 13 GHz	10 dBm	10 dBm	-1 dBm
> 13 GHz to 18 GHz	10 dBm	10 dBm	-4 dBm
> 18 GHz to 20 GHz	10 dBm	10 dBm	-6 dBm

Maximum output power (Option 54E)

Frequency	Standard	Option AT1 Electronic attenuator bypassed	Option AT1 Electronic attenuator inline
10 MHz to 13 GHz	10 dBm	8 dBm	-3 dBm
> 13 GHz to 18 GHz	10 dBm	8 dBm	-6 dBm
> 18 GHz to 20.55 GHz	7 dBm	6 dBm	-10 dBm
> 20.55 GHz to < 25.6 GHz	10 dBm	10 dBm	-7 dBm
25.6 GHz to 32 GHz	7 dBm	6 dBm	n/a
> 32 GHz to 40 GHz	7 dBm	7 dBm	n/a





Minimum settable output power			
Frequency	Standard	Option AT1 Electronic attenuator bypassed	Option AT1 Electronic attenuator inline
10 MHz to 13 GHz	0 dB (nom)	20 dB (nom)	90 dB (nom)
> 13 GHz to 20 GHz	0 dB (nom)	20 dB (nom)	90 dB (nom)
> 20 GHz to < 25.6 GHz (Option 54E)	0 dB (nom)	10 dB (nom)	80 dB (nom)
25.6 GHz to 36 GHz (Option 54E)	0 dB (nom)	10 dB (nom)	n/a
> 36 GHz to 40 GHz (Option 54E)	0 dB (nom)	10 dB (nom)	n/a
Agile power range			
Frequency	Standard	Option AT1 Electronic attenuator bypassed	Option AT1 Electronic attenuator inline
Option 52E			
10 Hz to 13 GHz	20 dB (nom)	20 dB (nom)	90 dB (nom)
> 13 to 20 GHz	20 dB (nom)	20 dB (nom)	90 dB (nom)
Option 54E			
10 Hz to 13 GHz	20 dB (nom)	20 dB (nom)	90 dB (nom)
> 13 to 18 GHz	20 dB (nom)	20 dB (nom)	90 dB (nom)
> 18 to 20.55 GHz	17 dB (nom)	20 dB (nom)	90 dB (nom)
> 20.55 to < 25.6 GHz	20 dB (nom)	10 dB (nom)	80 dB (nom)
> 25.6 GHz to 40 GHz	17 dB (nom)	10 dB (nom)	n/a
Leveling modes			
ALC on	Internal power leveling		
ALC off	No power leveling		
ALC off with power alignment	Power alignment is a routine that improves level accuracy with ALC off. It aligns the power level with ALC off to match the power level with ALC on at a customer specified power level. It should be run at regular intervals and whenever the operating temperature changes $\pm 5^\circ\text{C}$ from the alignment temperature.		
RF Gating			
Turns RF power on/off with external trigger			

Level accuracy (Option 52E)

Specifications apply for CW signals that do not exceed the maximum specified power. For instruments with Option 1ED Type-N connectors, specifications apply below 18 GHz and performance is typically degraded 0.2 dB above 18 GHz.

Output power (Standard)	ALC on	ALC off
10 dBm to 0 dBm	± 1.4 dB (typ)	± 2.0 dB (typ)

Output power (Option AT1)	Mechanical attenuator	Electronic attenuator	ALC on	ALC off
10 to 2 dBm	0 dB	Bypass	± 1.5 dB	± 2.0 dB
< 2 to -10 dBm	0 dB	Bypass	± 1.6 dB (typ)	± 2.5 dB (typ)
10 to -75 dBm	Auto	Bypass	± 1.5 dB	± 2.0 dB
-3 to -65 dBm	0 dB	Inline	± 1.5 dB	± 2.0 dB
< -65 to -90 dBm	0 dB	Inline	± 2.0 dB	± 2.5 dB
5 to -10 dBm	Auto	Auto	± 1.5 dB	± 2.0 dB
< -10 to -80 dBm	Auto	Auto	± 1.6 dB	± 2.5 dB

Level accuracy (Option 54E, frequency ≤ 20 GHz)

Specifications apply for CW signals that do not exceed the maximum specified power.

Output power (Standard)	ALC on	ALC off
10 dBm to 0 dBm	± 1.4 dB (typ)	± 2.0 dB (typ)

Output power (Option AT1)	Mechanical attenuator	Electronic attenuator	ALC on	ALC off
10 to 0 dBm	0 dB	Bypass	± 1.5 dB	± 2.0 dB
< 0 to -10 dBm	0 dB	Bypass	± 1.6 dB (typ)	± 2.5 dB (typ)
10 to -75 dBm	Auto	Bypass	± 1.5 dB	± 2.0 dB
-15 to -65 dBm	0 dB	Inline	± 1.5 dB	± 2.0 dB
< -65 to -90 dBm	0 dB	Inline	± 2.0 dB	± 2.5 dB
5 to -10 dBm	Auto	Auto	± 1.5 dB	± 2.0 dB
< -10 to -80 dBm	Auto	Auto	± 1.6 dB	± 2.5 dB

Level accuracy (Option 54E, frequency > 20 GHz)

Specifications apply for CW signals that do not exceed the maximum specified power.

Output power (Standard)	ALC on	ALC off
10 dBm to 0 dBm	± 1.4 dB (typ)	± 6.5 dB (typ)

Output power (Option AT1)	Mechanical attenuator	Electronic attenuator	ALC on	ALC off
10 to 0 dBm	0 dB	Bypass	± 1.8 dB	± 6.5 dB
< 0 to -10 dBm	0 dB	Bypass	± 1.6 dB (typ)	± 7.0 dB (typ)
10 to -50 dBm	Auto	Bypass	± 1.8 dB	± 6.5 dB
< -50 to -75 dBm	Auto	Bypass	± 2.2 dB	± 6.5 dB
-15 to -65 dBm	0 dB	Inline (< 25.6 GHz)	± 2.0 dB	± 6.5 dB
5 to -10 dBm	Auto	Auto (< 25.6 GHz)	± 2.0 dB	± 6.5 dB
< -10 to -80 dBm	Auto	Auto (< 25.6 GHz)	± 2.6 dB	± 6.5 dB

Agile power linearity (frequency ≤ 20 GHz with Option AT1)

Measured relative to -5 dBm for Option 52E and relative to -15 dBm for Option 54E with the mechanical step attenuator set to 0 dB and the electronic attenuator inline.

10 MHz to 13 GHz	± 0.4 dB (typ) for relative power from 0 to -75 dB
> 13 GHz to 20 GHz	± 0.5 dB (typ) for relative power from 0 to -75 dB

Agile power linearity (frequency > 20 GHz with Options 54E and AT1)

Measured relative to -15 dBm with the mechanical step attenuator set to 0 dB and the electronic attenuator inline.

> 20 GHz to < 25.6 GHz	± 1.8 dB (typ) for relative power from 0 to -65 dB
25.6 GHz to 40 GHz	n/a

Resolution			
	0.01 dB		
Temperature stability			
ALC on and frequency \leq 20 GHz	± 0.02 dB/ $^{\circ}$ C (typ)		
ALC on and frequency $>$ 20 GHz	± 0.04 dB/ $^{\circ}$ C (typ)		
ALC off and frequency \leq 20 GHz	± 0.07 dB/ $^{\circ}$ C (typ)		
ALC off and frequency $>$ 20 GHz	± 0.15 dB/ $^{\circ}$ C (typ)		
Output impedance			
	50 Ω (nom)		
SWR (meas) without Option AT1			
Frequency	Option 52E with 1ED	Option 54E	
10 MHz to 1 GHz	1.4 : 1	1.4 : 1	
$>$ 1 GHz to 2 GHz	1.4 : 1	1.5 : 1	
$>$ 2 GHz to 18 GHz	1.7 : 1	2 : 1	
$>$ 18 GHz to 20 GHz	1.9 : 1	2 : 1	
$>$ 20 GHz to 40 GHz	n/a	3 : 1	
SWR (meas) with Option AT1, electronic attenuator bypassed, mechanical attenuator = 0 dB			
Frequency	Option 52E without 1ED	Option 52E with 1ED	Option 54E
10 MHz to 1 GHz	1.4 : 1	1.4 : 1	1.4 : 1
$>$ 1 GHz to 2 GHz	1.4 : 1	1.4 : 1	1.5 : 1
$>$ 2 GHz to 18 GHz	1.7 : 1	1.7 : 1	2 : 1
$>$ 18 GHz to 20 GHz	1.8 : 1	1.8 : 1	2 : 1
$>$ 20 GHz to 40 GHz	n/a	n/a	2 : 1
SWR (meas) with Option AT1, electronic attenuator bypassed, mechanical attenuator $>$ 0 dB			
Frequency	Option 52E without 1ED	Option 52E with 1ED	Option 54E
10 MHz to 1 GHz	1.2 : 1	1.2 : 1	1.2 : 1
$>$ 1 GHz to 2 GHz	1.2 : 1	1.2 : 1	1.2 : 1
$>$ 2 GHz to 18 GHz	1.5 : 1	1.5 : 1	1.4 : 1
$>$ 18 GHz to 20 GHz	1.5 : 1	1.5 : 1	1.4 : 1
$>$ 20 GHz to 40 GHz	n/a	n/a	1.5 : 1
SWR (meas) with Option AT1, electronic attenuator inline			
Frequency	Option 52E without 1ED	Option 52E with 1ED	Option 54E
10 MHz to 1 GHz	1.3 : 1	1.3 : 1	1.3 : 1
$>$ 1 GHz to 2 GHz	1.3 : 1	1.3 : 1	1.3 : 1
$>$ 2 GHz to 18 GHz	1.7 : 1	1.7 : 1	1.6 : 1
$>$ 18 GHz to 20 GHz	1.7 : 1	1.7 : 1	1.6 : 1
$>$ 20 GHz to 40 GHz	n/a	n/a	1.8 : 1
Maximum reverse power			
	1/2 Watt, 0 VDC		

Switching speed

Agile switching modes	
Fast CW Switching Mode	The fast control port (Options CC1 or CC2) provides agile switching of CW frequency at a constant amplitude with the lowest latency.
Normal Mode	The fast control port (Option CC1) provides agile switching of frequency, phase, amplitude, pulse modulation, frequency modulation, phase modulation, and chirp. Option CC2 provides agile switching of frequency only.
List Mode	Internal list memory and a hardware trigger provide agile switching of frequency, phase, amplitude, pulse modulation, frequency modulation, phase modulation, and chirp.

Frequency transition types

Type 1	A frequency change in which the initial frequency and final frequency are in the same band per the frequency band diagrams in the frequency section, but not in region A0.
Type 2	A frequency change in which the initial frequency and final frequency are in the same region per the frequency band diagrams in the frequency section, but not in region A0.
Type 3	A frequency change in which the initial frequency and final frequency are in regions A1 through A5 per the frequency band diagrams in the frequency section.
Type 4	A frequency change in which the initial frequency and final frequency are in regions A1 through A9 per the frequency band diagrams in the frequency section.

RF transition speed

For frequency and phase transitions at a fixed power level, with ALC off and the electronic attenuator bypassed, for frequencies < 32 GHz. Measured from the first phase change of more than 0.1 radians that occurs after the input trigger, and measured to RF phase settled. Applies to Normal Mode or List Mode, not Fast CW Switching Mode.

Transition type	Standard	Option SS3 (10 MHz to 6.89 GHz)
Type 1	100 μ s (10 MHz to 31.6 GHz) 500 μ s (> 31.6 GHz to 40 GHz)	50 ns (typ)

CW switching speed for Fast CW Switching Mode

Update rate - measured from output strobe to RF phase and amplitude settled at a fixed power level with ALC off.

Transition type	Standard	Option SS3 (10 MHz to 6.89 GHz)
Type 1, 2 or 3	100 μ s (10 MHz to 31.6 GHz) 500 μ s (> 31.6 GHz to 40 GHz)	240 ns
Type 4	100 μ s (10 MHz to 31.6 GHz) 500 μ s (> 31.6 GHz to 40 GHz)	30 μ s

Latency - measured from input trigger to RF phase and amplitude settled at a fixed power level with ALC off.

Transition type	Standard	Option SS3 (10 MHz to 6.89 GHz)
Type 1, 2 or 3	100 μ s (10 MHz to 31.6 GHz) 500 μ s (> 31.6 GHz to 40 GHz)	370 ns
Type 4	100 μ s (10 MHz to 31.6 GHz) 500 μ s (> 31.6 GHz to 40 GHz)	30 μ s

Switching speed for Normal or List Mode¹

Update rate - measured from pulse sync out or list point start to RF phase and amplitude settled with ALC off. With Option AT1, includes amplitude changes over the agile power range.

Transition type	Standard	Option SS3 (10 MHz to 6.89 GHz)
Type 1, 2, or 3	100 μ s (10 MHz to 31.6 GHz) 500 μ s (> 31.6 GHz to 40 GHz)	180 ns
Type 4	100 μ s (10 MHz to 31.6 GHz) 500 μ s (> 31.6 GHz to 40 GHz)	30 μ s

Latency - measured from input trigger to RF phase and amplitude settled with ALC off. With Option AT1, includes amplitude changes over the agile power range.

Transition type	Standard	Option SS3 (10 MHz to 6.89 GHz)
Type 1, 2 or 3	100 μ s (10 MHz to 31.6 GHz) 500 μ s (> 31.6 GHz to 40 GHz)	700 ns
Type 4	100 μ s (10 MHz to 31.6 GHz) 500 μ s (> 31.6 GHz to 40 GHz)	30 μ s

Additional contributors to switching speed

With GPIB, LAN, or USB control	Add 900 μ s (nom) from receipt of SCPI command or trigger signal
With Opt AT1 attenuators	Add 20 ms (nom) for any change in the mechanical attenuator or bypass switch. These are controllable via GPIB, LAN, or USB. These are not controllable via list or fast control port (Option CC1 or CC2). Add 1 μ s (nom) when switching to or from any frequency in region A0.

RF phase settling criteria

Final frequency

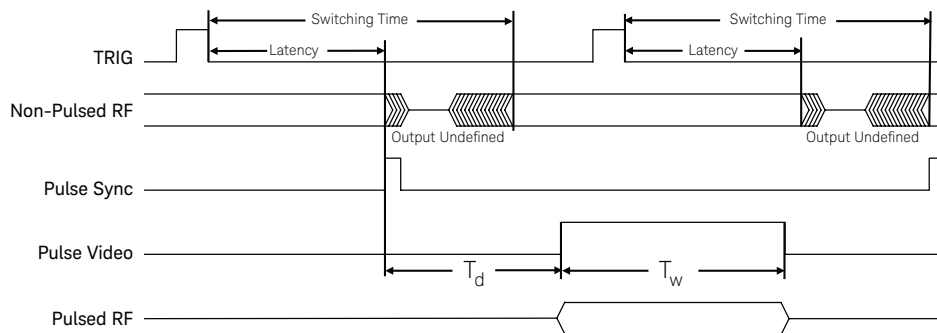
10 MHz to 8.6 GHz	Measured to phase settled within 0.1 radians of final phase.
> 8.6 GHz to 17.3 GHz	Measured to phase settled within 0.2 radians of final phase.
> 17.3 GHz	Measured to phase settled within 0.3 radians of final phase.

RF amplitude settling criteria

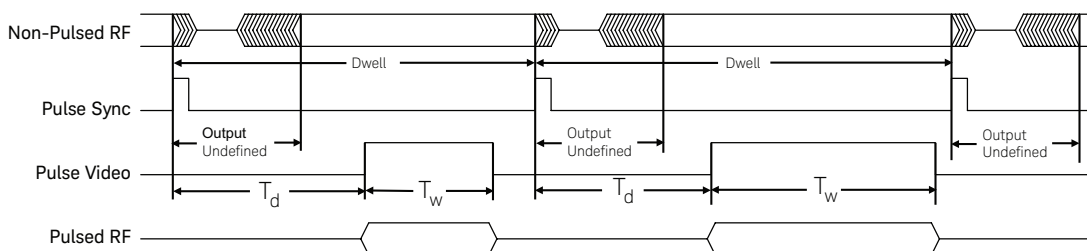
Measured to amplitude settled within 1 dB of final amplitude.

1. For list mode, each point is controlled by dwell time, which will be limited based on the larger of the two frequencies (start and end frequencies).

Switching Speed Definitions Triggered Pulse



Switching Speed Definitions List Pulse



Synchronization

Multiple UXG units can be synchronized together to have phase coherent outputs. This is useful for simulating angle-of-arrival (AoA) and phased array antenna wavefronts.

Synchronization input connections	
10 MHz input	Accepts a basic external reference at 10 MHz. Achieves lower residual phase noise than a 10 MHz input at the system sync input. See the Rear Panel Connectors Section for connection details.
System sync input	Recommended external reference input for use in system environments where trigger jitter and phase stability are important. Accepts a wide variety of input frequencies. See the Rear Panel Connectors Section for connection details.
6 GHz input	Provides high stability synchronization between multiple signal generators. This is not a general 6 GHz connection. Only the 6 GHz synchronization output from another compatible signal generator should be connected. See the Rear Panel Connectors Section for connection details.
Synchronization output connections	
10/100 MHz output	Provides a basic external reference at 10 MHz or 100 MHz. Achieves better spectral purity than the system sync output. See the Rear Panel Connectors Section for connection details.
System sync output	Recommended external reference output for use in system environments where trigger jitter and phase stability are important. Normally provides a 250 MHz output, but other frequencies are available. See the Rear Panel Connectors Section for connection details.
6 GHz output	Provides high phase stability synchronization between multiple signal generators. See the Rear Panel Connectors Section for connection details.
System sync input	
Frequency	1 to 250 MHz in 1 MHz steps. Default value is 250 MHz.
Lock range	± 1.0 ppm (nom)
Amplitude	6 dBm \pm 6 dB (nom). To optimize phase noise use 6 dBm \pm 2 dB (nom)
Input impedance	50 Ω (nom)
Usage	The input frequency is not auto-detected. It must be entered manually and must be accurate to within the lock range above.
System sync output	
Frequency	10 MHz, 100 MHz, or 250 MHz, selectable. Multi-box synchronization overrides this selection and may use other frequencies.
Amplitude	12 dBm (nom)
Output impedance	50 Ω (nom)
6 GHz input	
Frequency	6 GHz
Lock range	± 1.0 ppm (nom)
Amplitude	11 dBm \pm 6 dB (nom)
Input impedance	50 Ω (nom)
Usage	This input must be connected to the 6 GHz output (described below) or a similar output from another compatible signal generator. The signal generator will not function without a 6 GHz signal at this input.
6 GHz output	
Frequency	6 GHz
Amplitude	17 dBm (nom)
Output impedance	50 Ω (nom)
Usage	A rigid jumper cable is provided to connect the 6 GHz output to the 6 GHz input. The jumper can be removed to distribute this signal to other equipment. When distributing this signal to multiple UXG signal generators, approximately 12 dB of loss is permissible before distribution amplifiers are required. One of the distributed outputs from a master signal generator must be connected back into the 6 GHz input of the master signal generator.
Reference bandwidth	
Standard	25 Hz

Normal mode

Normal mode is optimized for maximum update rate (throughput). If the fast control port (FCP) Option CC1 is installed, it provides the capability to use pulse descriptor words (PDWs) to control frequency, amplitude, phase, pulse (include chirp or phase coding), and FM or Φ M. The PDW is streamed into the rear-panel FCP 100-pin connector using 48-bit wide control words.

Fast CW mode

Fast CW mode is optimized for minimum latency. The FCP control over signal attributes is limited to CW frequency switching and the addition of FM/ Φ M provided this option was purchased. It is typically used with the FCP Option CC2 for compatibility with instruments used in legacy test systems.

PDW streaming mode

Streaming provides agile control of most of the instrument settings via a continuous stream of PDWs transferred from the internal SSD or an external source, such as a LAN or the Fast Control Port. The set of parameters controlled by Streaming include frequency, frequency band map, band adjust, relative power, phase, phase mode, pulse, pulse start time, FM (chirp) and PM (phase coding). Each PDW consists of seven 32-bit words.

From file on solid state drive (SSD)	
PDW streaming rate	750 k pulses/s (nom)
Over LAN port	
PDW streaming rate	750 k pulses/s (nom)
Over fast control port (FCP)	
PDW streaming rate	6 M pulses/s (nom)
Triggering	
PDW streaming trigger	Auto, external, single, SCPI, timer, or trigger key
PDW streaming trigger types	Play, abort, or cancel

List mode

List mode lets you play out a list of PDW's located in and read from the instrument's FPGA memory. The memory contains a series of list points where each list point contains multiple signal attributes. This mode supports dynamic sequencing using the external trigger ports.

Operating modes	
	List of frequency, phase, amplitude, pulse, chirp, and modulation parameters such as Barker codes.
Timing	
Uniform timer	
Standard	Advance every 100 μ s to 34 s
Option SS3	Advance every 48 ns to 34 s (for frequencies from 10 MHz to 6.89 GHz)
Dwell timer	
Standard	Advance every 100 μ s to 17 s
Option SS3	Advance every 48 ns to 17 s (for frequencies from 10 MHz to 6.89 GHz)
Number of points	
Arbitrary list	1 to 500,000 per table assuming 50 sequences. Lists and sequences share the same memory.
Triggering	
Point trigger	Auto, external, single, SCPI, timer, or trigger key
List trigger	Auto, external, single, SCPI, timer, or trigger key
Sequence trigger	Auto, external, single, SCPI, timer, or trigger key
Markers	
Marker types	List, sequence, point
Number of configurable markers	Up to 12
Settable marker parameters	Polarity, delay

Spectral purity

Harmonics

Measured at 10 dBm or maximum specified power, whichever is lower. Performance is unspecified for harmonics beyond the specified frequency range.

Fundamental frequency	Harmonic level
10 MHz to 2.61 GHz (Frequency Mode B)	-25 dBc (typ)
10 MHz to 1 GHz (Frequency Mode A)	-40 dBc
> 1 GHz to 2 GHz (Frequency Mode A)	-50 dBc
> 2 GHz	-55 dBc

Sub-harmonics

Measured at +10 dBm or maximum specified power, whichever is lower. Sub-harmonics are defined as Carrier Freq $\cdot (x/N)$, where x is an integer, but excluding harmonics. Does not apply to non-harmonic spurs which may overlap sub-harmonic spurs. Performance is unspecified for sub-harmonics beyond the specified frequency range.

Fundamental frequency	1/2 and 3/2 sub-harmonics	Other sub-harmonics	N
0.01 to < 1.43 GHz	None	None	1
1.43 to < 2.85 GHz	-75 dBc	-80 dBc	2
2.85 to < 5.7 GHz	-75 dBc	-80 dBc	4
5.7 to < 11.4 GHz	-75 dBc	-80 dBc	8
11.4 to < 16 GHz	-70 dBc	-80 dBc	16
16 to 20 GHz	-65 dBc (typ)	-70 dBc (typ)	16
> 20 to < 22.8 GHz (Opt 54E)	-70 dBc (typ)	-70 dBc (typ)	16
22.8 to 40 GHz (Opt 54E)	-70 dBc (typ)	-70 dBc (typ)	32

Non-harmonics

Measured in Frequency Mode A at +10 dBm or maximum specified power, whichever is lower. Performance is unspecified for non-harmonics beyond the specified frequency range.

Fundamental frequency	Offsets > 300 Hz excluding power-line related	Power-line related
0.01 to < 1.43 GHz	-70 dBc (typ)	-60 dBc (typ)
1.43 to < 2.85 GHz	-70 dBc (typ)	-60 dBc (typ)
2.85 to < 5.7 GHz	-70 dBc (typ)	-50 dBc (typ)
5.7 to < 11.4 GHz	-70 dBc (typ)	-50 dBc (typ)
11.4 GHz to 20 GHz	-70 dBc (typ)	-50 dBc (typ)
> 20 GHz (Opt 54E) ¹	-65 dBc (typ)	-45 dBc (typ)

Broadband noise

In CW mode at +10 dBm or maximum specified output power, whichever is lower, for offsets > 10 MHz.

Frequency	Broadband noise
10 MHz to 20 GHz	-131 dBc/Hz (typ)
> 20 GHz to 40 GHz (Opt 54E)	-125 dBc/Hz (typ)

1. At precisely 22 GHz, several spurs coalesce and may add to -60 dBc. Moving 1 Hz away from 22 GHz avoids this issue.

Phase noise

Phase noise is measured using a CW signal at +10 dBm or maximum specified power, whichever is less, with spur optimizations off. Phase noise specifications exclude external mechanical vibration.

Absolute SSB phase noise (dBc/Hz)	
Frequency	Offset from carrier
	20 kHz spec (typ)
0.01 to < 1.43 GHz	-132 (-135)
1.43 to < 2.85 GHz	-125 (-129)
2.85 to < 5.7 GHz	-119 (-122)
5.7 to < 11.4 GHz	-114 (-117)
11.4 to 20 GHz	-109 (-112)
> 20 GHz (Opt 54E)	-103 (-106)

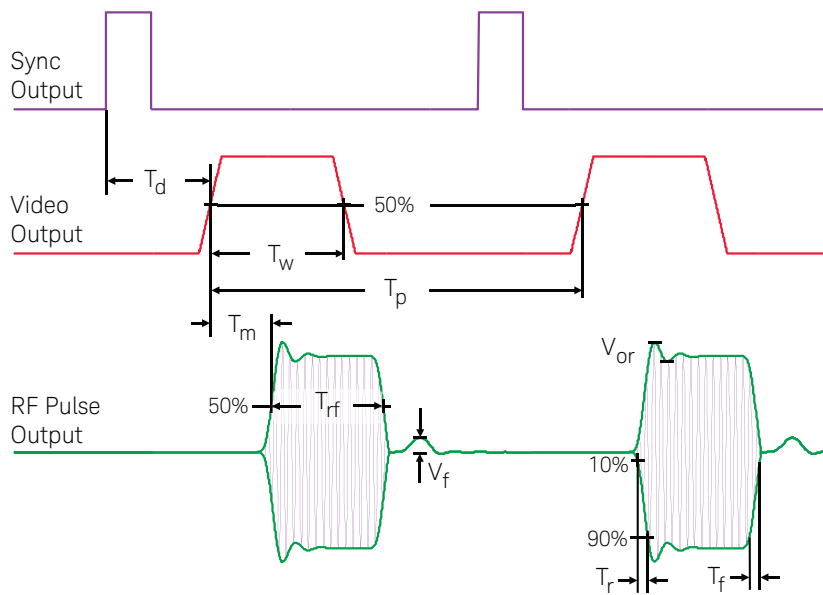
Pulse modulation (Option PM2)

For frequencies from 400 MHz to 1.43 GHz, pulse modulation specifications apply in Mode B only. For frequencies below 400 MHz, pulse modulation is not specified.

Pulse types	
External input	The RF pulse width is the same as the input pulse width at the pulse/trigger gate input connector.
Triggered	The internal pulse generator is triggered by a selectable trigger source. The pulse delay and width are settable.
List mode	The pulse parameters are defined in a list.
Streaming mode	The pulse parameters are defined in the streamed PDW data.
Free run	The internal pulse generator generates pulses with the specified parameters without waiting for a trigger.
On/off ratio	
0.4 to < 4.2 GHz	80 dB (90 dB typ)
4.2 GHz to 20 GHz	90 dB
> 20 GHz (Option 54E)	80 dB (90 dB typ)
Rise/fall times	
0.4 to < 1.43 GHz	(6 ns typ)
1.43 to < 2.85 GHz	10 ns (6 ns typ)
≥ 2.85 GHz	10 ns (3 ns typ)
Minimum pulse width	
ALC on	50 ns
ALC off	10 ns (10 MHz to 31.6 GHz) 32 ns (> 31.6 GHz to 40 GHz)
Minimum pulse repetition interval	
ALC on	60 ns (10 MHz to 31.6 GHz) 64 ns (> 31.6 GHz to 40 GHz)
ALC off	20 ns (10 MHz to 31.6 GHz) 64 ns (> 31.6 GHz to 40 GHz)
Level accuracy (relative to CW)	
For pulse width ≥ 100 ns with ALC on and for pulse width ≥ 10 ns with ALC off.	
0.4 to < 1.43 GHz	± 1 dB (typ)
≥ 1.43 GHz	± 1 dB (typ)

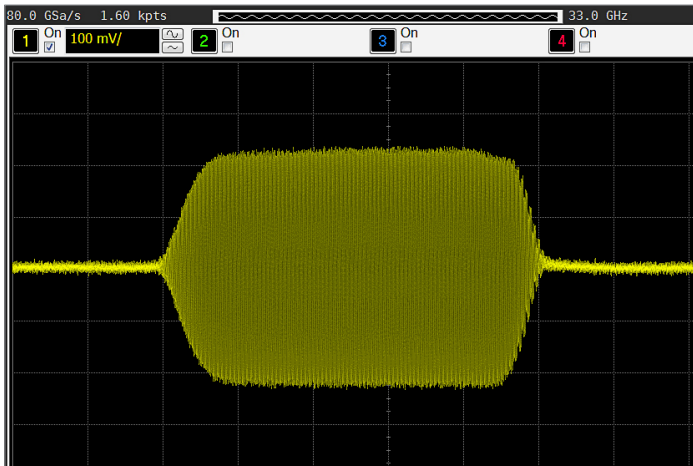
Width compression		
RF width relative to video out		± 5 ns (typ)
Video feed-through		
For frequencies ≥ 400 MHz and output power of 10 dBm or less		10% (typ)
Video delay		
External input to video output	60 ns (meas)	
RF delay (video to RF output)		
Frequency > 500 MHz	10 ns (meas)	
Pulse overshoot		
	10% (typ)	
Input level		
	+1 V = RF on	
	0 V = RF off	
Input impedance		
	50 Ω (nom)	

Modified Figure for Thunderbird Datasheet



Measured pulse shape

Frequency = 9 GHz, power = 10 dBm, amplitude = 10 dBm, ALC off, pulse width = 10 ns, pulse period = 100 ns. The oscilloscope is protected by a 10 dB pad and the timescale is set to 2 ns/div.

**Chirp and chirped-pulse modulation (Options UT1, WC2, and PM2)¹**

Option WC2 is required for chirp control through the Option CC1 I/O interface.

Chirp type

Options UNT or WC2	Linear frequency modulation (LFM) within pulse
Option WC2 only	CW chirp (available in list or streaming modes only)

Pulse types

Compatible without jitter	Free-run, synchronously triggered	
With ± 8 ns jitter	Asynchronously triggered	26.5 GHz to 31.6 GHz (Option 54E)
Incompatible	External pulse	

Pulse and chirp alignment

Chirp start time is aligned to pulse start time within ± 50 ns (typ)

Deviation (peak to peak) with Option UT1

Option 52E cannot chirp beyond 21.5 GHz. Option 54E cannot chirp beyond 40 GHz.

Frequency	Maximum peak to peak deviation
10 MHz to < 250 MHz	8 MHz
250 MHz to < 8 GHz	256 MHz
8 GHz to < 12 GHz	384 MHz
12 GHz to < 18 GHz	512 MHz
18 GHz to 20 GHz	768 MHz
> 20 GHz to < 26.5 GHz (Option 54E)	768 MHz
≥ 26.5 GHz to 31.6 GHz (Option 54E)	1024 MHz ²
> 31.6 GHz to 40 GHz (Option 54E)	550 MHz

Deviation (peak to peak) with Options UT1 and WC2

Option 52E cannot chirp beyond 21.5 GHz. Option 54E cannot chirp beyond 40 GHz.

Frequency	Maximum peak to peak deviation
50 MHz to 6.89 GHz	10% of center frequency
> 6.89 GHz to 31.6 GHz (Option 54E)	2.2 GHz ²
> 31.6 GHz to 40 GHz (Option 54E)	550 MHz

Wider deviations are available up to 6.89 GHz when not near a band edge, for example, any chirp which lies within one band is obtainable. See the frequency band diagrams. Amplitude accuracy may degrade for wide chirps.

Rate

Range	10 kHz/ μ s to 1.3 GHz/ns
Resolution	10 kHz/ μ s to 0.32768 kHz/ns depending on rate

1. If FCP (Fast Control Port) state is set to on and real-time streaming control is used, chirp and chirped-pulse modulation is only available for frequency range below 6.89 GHz.
2. Additionally, if chirp delta frequency is > 550 MHz or < -550 Hz, then the chirp start and stop frequency (stop frequency = start frequency + chirp delta) must both be ≤ 32.35 GHz.

Internal pulse generator (Option PM2)

Internal pulse generator	
Modes	Free-run, square, and triggered
Square wave rate	0.1 Hz to 10 MHz with 0.1 Hz resolution (nom)
Pulse period (PRI) (Tp)	30 ns to 42 s, corresponding to repetition frequencies of 0.024 Hz to 33.33 MHz. (10 MHz to 31.6 GHz) 32 ns to 42 s, corresponding to repetition frequencies of 0.024 Hz to 31.25 MHz. (> 31.6 GHz to 40 GHz)
Minimum pulse width (Tw)	4 ns (nom)
Delay resolution	10 ps
PRI resolution	2 ns
Width resolution	2 ns

Frequency modulation (Option UT1)

Maximum rate	
Internal or external	10 MHz

Maximum peak deviation with Option UT1	
Option 52E cannot deviate beyond 21.5 GHz. Option 54E cannot deviate beyond 40 GHz.	

Frequency	Maximum peak deviation
10 MHz to < 250 MHz	4 MHz
250 MHz to < 8 GHz	128 MHz
8 GHz to < 12 GHz	192 MHz
12 GHz to < 18 GHz	256 MHz
18 GHz to 20 GHz	384 MHz
> 20 GHz to < 26.5 GHz (Option 54E)	384 MHz
≥ 26.5 GHz to 31.6 GHz (Option 54E)	512 MHz
> 31.6 GHz to 40 GHz (Option 54E)	275 MHz

Maximum peak deviation with Options UT1 and WC2	
Option 52E cannot deviate beyond 21.5 GHz. Option 54E cannot deviate beyond 40 GHz.	

Frequency	Maximum peak deviation
10 MHz to 6.89 GHz	5% of center frequency
> 6.89 GHz to 20 GHz	1.1 GHz
> 20 GHz to 31.25 GHz (Option 54E)	1.1 GHz
> 31.25 GHz to 31.6 GHz (Option 54E)	750 MHz
> 31.6 GHz to 40 GHz (Option 54E)	275 MHz

Wider deviations are available up to 6.89 GHz when not near a band edge, for example, any FM deviation which lies within one band is obtainable. See the frequency band diagrams. Amplitude accuracy may degrade for wide FM.

Resolution	
	0.1% of deviation or 1 Hz, whichever is greater

Deviation accuracy	
Measured at a 1 kHz rate with 100 kHz deviation.	

Internal	± 1% of FM deviation (± 0.2% typ)
External In	± 3.5% of FM deviation + 20 Hz

Modulation frequency response (3 dB bandwidth)	
Measured at 100 kHz deviation.	

DC coupling	DC to 10 MHz (nom)
AC coupling	5 Hz to 10 MHz (nom)

External DC FM carrier offset	
At the calibrated deviation and carrier frequency, within 5 °C of ambient temperature at time of user calibration.	

± 0.1% of set deviation (meas)

Distortion	
Measured at a 1 kHz rate with 100 kHz deviation.	

0.4%

Sensitivity	
	± 1 V _{peak} for indicated deviation

Frequency Coding (FSK)	
Number of levels	16 levels, at least 32 maps
Minimum bin width	4 ns
Maximum pattern length	65,536 bits/pattern

Phase modulation (Option UT1)

Maximum rate	
Internal or external	10 MHz
Maximum peak deviation in radians	
$\frac{5\% \text{ of carrier frequency}}{\text{modulation frequency}}$ or $\frac{600 \text{ MHz}}{\text{modulation frequency}}$ or 12π whichever is less	
Resolution	
	0.1% of set deviation
Deviation accuracy	
Measured at a 1 kHz rate with 3π rad deviation.	
Internal	$\pm 1\%$ of ΦM deviation ($\pm 0.2\%$ typ)
External In	$\pm 3.5\%$ of ΦM deviation
Modulation frequency response (3 dB bandwidth)	
Measured at 3π rad deviation.	
DC coupling	DC to 10 MHz (nom)
AC coupling	5 Hz to 10 MHz (nom)
Distortion	
Measured at a 1 kHz rate with 3π rad deviation.	
Total harmonic distortion	0.5% (0.1% typ)
Sensitivity	
	$\pm 1 V_{\text{peak}}$ for indicated deviation
Phase Modulation Types	
Triggered BPSK	Phase can be changed 180° on a bin-by-bin basis every 8 ns via an external trigger
Barker Coding	
Supported Codes	2, 3, 4, 5, 7, 11, 13
Phase Coding (PSK)	
Number of levels	16 levels, at least 32 maps
Minimum bin width	4 ns
Maximum pattern length	65,536 bits/pattern

Amplitude modulation (Option UT1)

AM performance is typical up to 20 GHz with ALC on when AM peaks do not exceed maximum specified power. AM performance is not specified with ALC off or above 20 GHz or when AM peaks exceed maximum specified power.

Maximum depth	
	80% (14 dB)
Depth accuracy	
ALC on, 1 kHz rate and depth $\leq 80\%$	$\pm (6\% \text{ of setting} + 1\%)$
External input (selectable polarity)	
Sensitivity for indicated depth	$1 V_{\text{peak}}$
Maximum voltage	$\pm 1 \text{ V}$
Modulation frequency response (3 dB bandwidth)	
Measured at 30% depth.	
DC coupling	DC to 10 MHz (nom)
AC coupling	5 Hz to 10 MHz (nom)
Distortion	
30% AM, 1 kHz rate	1.5% total harmonic distortion
60% AM, 1 kHz rate	2% total harmonic distortion

External modulation inputs (Option UT1)

Connections	Ext1 and Ext2
Modulation types	AM, FM, and ΦM
Input impedance	50 Ω , 600 Ω , or 1 M Ω (nom) switched

Internal modulation source (Option UT1)

Dual function generators	Provide two independent signals (internal1 and internal2) for use with AM, FM, Φ M, or LF output.
Waveforms	Sine, square, positive ramp, negative ramp, triangle, pulse, uniform noise, Gaussian noise.
Rate range	
Sine	0.1 Hz to 10 MHz
Square, ramp, triangle	0.1 Hz to 1 MHz
Resolution	0.1 Hz
Accuracy	Same as timebase
LF output	
Output	Internal 1, internal 2, noise generator 1, noise generator 2. Also provides monitoring of function generators when used for AM, FM, or Φ M.
Amplitude	0 to 5 V_{peak} (nom) into 50 Ω or 10 V (nom) into 1 M Ω
Output impedance	50 Ω (nom)

Simultaneous modulation

Simultaneous modulation

All modulation types (FM, AM, Φ M, chirp, and pulse modulation) may be simultaneously enabled except FM with Φ M.

AM, FM, and Φ M can sum simultaneous inputs from any two sources (Ext1, Ext2, internal1, or internal2).

Any given source (Ext1, Ext2, internal1, or internal2) may be routed to only one activated modulation type.

Remote programming

Interfaces	GPIB (IEEE-488.2,1987) with listen and talk, USB 2.0, and 1000BaseT LAN interface.
Control languages	SCPI version 1997.0. Code compatibility modes for Aeroflex 2500, 2200, FS2000 or FS5000.
IEEE-488 functions	SH1, AH1, T6, TE0, L4, LE0, SR1, RL1, PP0, DC1, DT0, C0, E2
Keysight IO libraries	Keysight's IO Library Suite helps you quickly establish an error-free connection between your PC and instruments, regardless of the vendor. It provides robust instrument control and works with the software development environment you choose.

General specifications

Power requirements	100/120 VAC 50/60/400 Hz or 220/240 VAC 50/60 Hz (automatically selected) < 350 W typical, 400 W maximum
Operating temperature range	0 to 55 °C
Storage temperature range	-40 to 70 °C; during storage below -20 °C, instrument states may be lost.
Altitude	0 to 4600 m (15,000 ft)
Humidity	Relative humidity - type tested at 95%, +40 °C (non-condensing).
Environmental testing	Samples of this product have been tested in accordance with the Keysight Environmental Test Manual and verified to be robust against the environmental stresses of storage, transportation, and end-use. Those stresses include but are not limited to temperature, humidity, shock, vibration, altitude, and power line conditions. Test methods are aligned with IEC 60068-2 and levels are similar to MIL-PRF-28800F Class 3. Phase noise specifications are not warranted in a vibrating environment.
ISO compliant	This family of signal generators is manufactured in an ISO-9001 registered facility in concurrence with Keysight's commitment to quality.
EMC	Conforms to the immunity and emission requirements of IEC/EN 61326-1 including the conducted and radiated emission requirements of CISPR Pub 11/2009 Group 1, Class A.
Acoustic noise	Normal: 48 dBA (nom) Worst case: 68 dBA (nom)
Storage	Memory is shared by instrument states and sweep list files. The solid-state drive initially has at least 480 GB of free space.

Security	Display blanking Memory clearing functions (See Application Note, "Security Features of Keysight Technologies Signal Generators," Part Number E4400-90621). Removable Solid State Drive (SSD) with all user data.
Self-test	Internal diagnostic routine tests most modules in a preset condition. If node voltages are within acceptable limits, then the module passes the test.
Weight	< 25 kg (54 lb.) net < 34 kg (73 lb.) shipping
Dimensions	134 mm H x 426 mm W x 559 mm D (5.25" H x 16.8" W x 22.0" D)
Recommended calibration cycle	12 months

Input/Output Descriptions

Front panel connectors

Unless otherwise noted, all connectors are BNC female, digital inputs and outputs are 3.3 V CMOS, and digital inputs will accept 5 V CMOS, 3 V CMOS, or TTL voltage levels. Option 1EM moves all connectors to the rear panel except the USB connectors.

RF output	Output impedance 50 Ω (nom).
Option 52E	Standard: Precision APC-3.5 male; plus 3.5 - 3.5 mm female adapter Option 1ED: Type-N female; plus Type-N male - 3.5mm female adapter
Option 54E	Precision 2.4 mm male; plus 2.4 - 2.4 mm and 2.4 - 2.9 mm female adapters.
USB 2.0 master (2 ports)	Allows control of USB devices. USB Type-A female connector. Nominal output current 0.5 A.
LF output	Outputs the internally generated LF source. Nominal output impedance 50 Ω .
External input 1	Drives either AM, FM, or Φ M. Nominal input impedance is 50 Ω , 600 Ω , or 1 M Ω , selectable. Damage levels are 5 V _{rms} and 10 V _{peak} .
External input 2	Drives either AM, FM, or Φ M. Nominal input impedance is 50 Ω , 600 Ω , or 1 M Ω , selectable. Damage levels are 5 V _{rms} and 10 V _{peak} .
Pulse/trigger gate input	Accepts input signal for external pulse modulation. Also accepts external trigger pulse input for internal pulse modulation. Nominal impedance 50 Ω . Damage levels are 5 V _{rms} and 10 V _{peak} .
Pulse video out	Outputs a signal that follows the RF output for internal pulse modes. TTL-level compatible. Nominal source impedance 50 Ω .
Pulse sync out	Outputs a synchronizing pulse, nominally 50 ns width, for internal pulse modes. TTL-level compatible, nominal source impedance 50 Ω .

Rear panel connectors

Unless otherwise noted, all connectors are BNC female, digital inputs and outputs are 3.3 V CMOS, and digital inputs will accept 5 V CMOS, 3 V CMOS, or TTL voltage levels. Option 1EM moves the front panel connectors to the rear panel except the USB connectors.

GPIO	Operates as a GPIO controller or device. IEEE-488 bus connector.
LAN (1000 BaseT)	Allows LAN TCP/IP communication. RJ45 Ethernet connector. The LAN connector provides the same SCPI remote programming functionality as the GPIO connector. The LAN connector is used to access the internal web server and FTP server. The LAN supports DHCP, HiSLIP, sockets SCPI, VXI-11 SCPI, connection monitoring, dynamic hostname services, and TCP keep alive. This interface is LXI class C compliant.
USB 2.0 master (2 ports)	Allows control of USB devices. USB Type-A female connector. Nominal output current 0.5 A.
USB 2.0 slave (1 port)	Receives control from USB host. USB Type-B female connector. Nominal output current 0.5 A.
PCIe x8	Provides 8 lanes of PCIe I/O. Reserved for future use.
10 MHz input	Accepts a 10 MHz external reference (timebase) input. Nominal input impedance 50 Ω . Nominal input range 0 to 12 dBm.
10/100 MHz output	Provides a reference signal of 10 MHz or 100 MHz, selectable. Nominal output impedance 50 Ω . Nominal output power 7 dBm. Suitable for use with the 10 MHz input or System Sync input of another compatible signal generator.
10 MHz EFC	Accepts an external DC voltage, ranging from -10 V to +10 V, for electronic frequency control (EFC) of the internal 10 MHz reference oscillator. This voltage inversely tunes the oscillator about its center frequency. See the EFC sensitivity in the frequency section. The nominal input impedance is greater than 1 M Ω .

System sync input	Accepts an external reference input. The acceptable frequencies are listed in the synchronization section. Nominal input impedance 50 Ω . Nominal input range 0 to 12 dBm.
System sync output	Provides an external reference output of 10, 100, or 250 MHz, selectable. Nominal output impedance 50 Ω . Nominal output power 12 dBm. Suitable for use with the System sync input.
6 GHz input	SMA female connector. Accepts a synchronization input of 6 GHz. Nominal input impedance 50 Ω . Nominal input range 5 to 17 dBm. Damage levels are above +23 dBm.
6 GHz output	SMA female connector. Provides a synchronization output of 6 GHz. Nominal output impedance 50 Ω . Nominal output power 17 dBm. Suitable for use with the 6 GHz input.

Fast Control Port (FCP) interface modules

Option CC1 I/O interface

Data port	100 pin LVDS
Triggers and markers	2 SMA and 12 SMB
Data format	Binary
Controllable parameters	Frequency, amplitude, phase, phase coding, band, pulse, chirp, FM deviation, Φ M deviation, depending on installed options.

Option CC2 I/O interface

Data connector	50 pin
Triggers and markers	2 SMA
Data format	Binary coded decimal (BCD)
Controllable parameters	Frequency, FM deviation

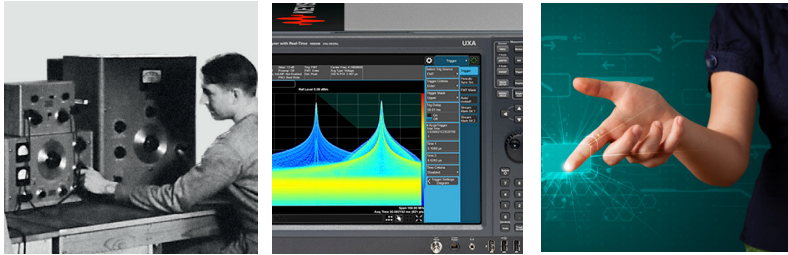
Related Literature

N5191A UXG Brochure, 5992-1096EN

N5191A UXG Configuration Guide, 5992-1116EN

Evolving

Our unique combination of hardware, software, support, and people can help you reach your next breakthrough. **We are unlocking the future of technology.**



From Hewlett-Packard to Agilent to Keysight



myKeysight
myKeysight

myKeysight
www.keysight.com/find/mykeysight
A personalized view into the information most relevant to you.

Keysight Infoline
Keysight Infoline

Keysight Infoline
www.keysight.com/find/Infoline
Keysight's insight to best in class information management. Free access to your Keysight equipment company reports and e-library.

KEYSIGHT SERVICES

Keysight Services
www.keysight.com/find/services
Our deep offering in design, test, and measurement services deploys an industry-leading array of people, processes, and tools. The result? We help you implement new technologies and engineer improved processes that lower costs.



Three-Year Warranty
www.keysight.com/find/ThreeYearWarranty
Keysight's committed to superior product quality and lower total cost of ownership. Keysight is the only test and measurement company with three-year warranty standard on all instruments, worldwide. And, we provide a one-year warranty on many accessories, calibration devices, systems and custom products.



Keysight Assurance Plans
www.keysight.com/find/AssurancePlans
Up to ten years of protection and no budgetary surprises to ensure your instruments are operating to specification, so you can rely on accurate measurements.

Keysight Channel Partners
www.keysight.com/find/channelpartners
Get the best of both worlds: Keysight's measurement expertise and product breadth, combined with channel partner convenience.

www.keysight.com/find/n5191a

For more information on Keysight Technologies' products, applications or services, please contact your local Keysight office. The complete list is available at: www.keysight.com/find/contactus

Americas

Canada	(877) 894 4414
Brazil	55 11 3351 7010
Mexico	001 800 254 2440
United States	(800) 829 4444

Asia Pacific

Australia	1 800 629 485
China	800 810 0189
Hong Kong	800 938 693
India	1 800 11 2626
Japan	0120 (421) 345
Korea	080 769 0800
Malaysia	1 800 888 848
Singapore	1 800 375 8100
Taiwan	0800 047 866
Other AP Countries	(65) 6375 8100

Europe & Middle East

Austria	0800 001122
Belgium	0800 58580
Finland	0800 523252
France	0805 980333
Germany	0800 6270999
Ireland	1800 832700
Israel	1 809 343051
Italy	800 599100
Luxembourg	+32 800 58580
Netherlands	0800 0233200
Russia	8800 5009286
Spain	800 000154
Sweden	0200 882255
Switzerland	0800 805353
	Opt. 1 (DE)
	Opt. 2 (FR)
	Opt. 3 (IT)
United Kingdom	0800 0260637

For other unlisted countries:
www.keysight.com/find/contactus
(BP-06-08-16)



www.keysight.com/go/quality
Keysight Technologies, Inc.
DEKRA Certified ISO 9001:2015
Quality Management System